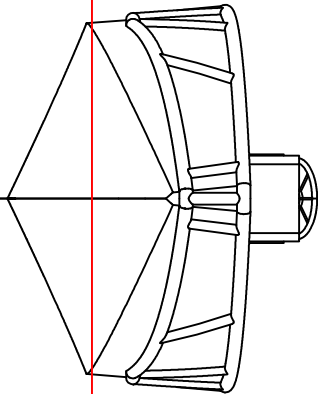
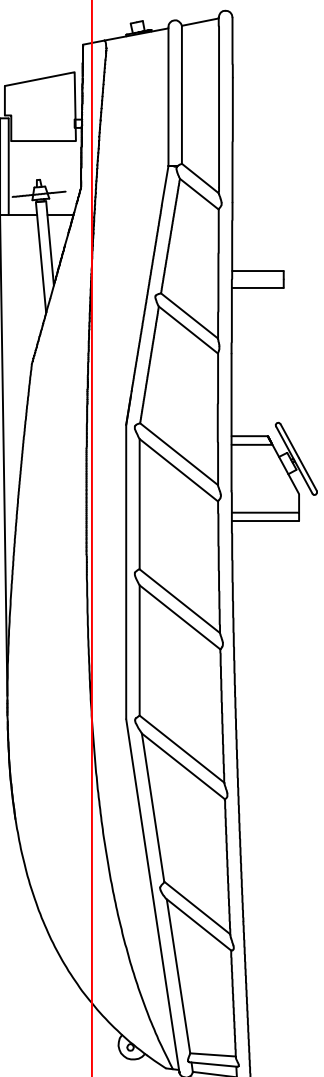


FRONT VIEW



SIDE VIEW



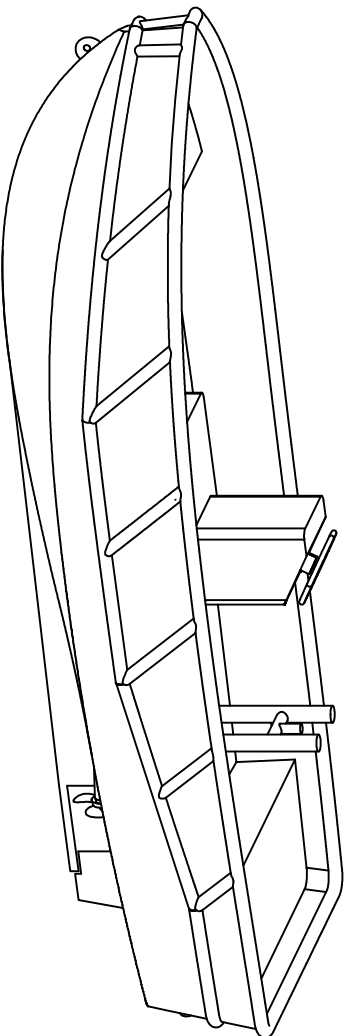
CWL

Main particulars

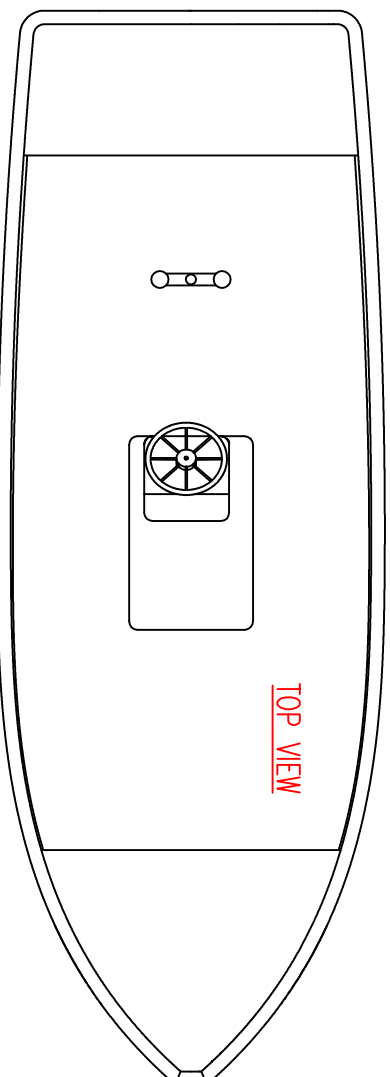
Length over all	6.30 [m]
Breadth over all	2.30 [m]
Depth at 1/2 L	1.34 [m]
Weight approx.	4900 [kg]
Building material	Steel 5 [mm]
Engine Power *	60 [HP]

* Engine Power can be adjusted for required bollard pull

3D VIEW



TOP VIEW



COPYRIGHT BEN3D B.V.		BEN3D	
BRAND BA		PRODUCTION	
DIMENSION 6		SCALE	
SMAAK HILMARCHT		DATE 2013	
WINKERKON - WINKERKON		APPROVED	
Worker 630			
TYPE	Fastrider 500	DWG NO	
YARD NO	contractor	Drawing for building	
YARD NO	building yard	SHEET	SYSTEM