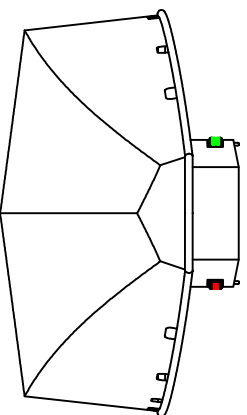
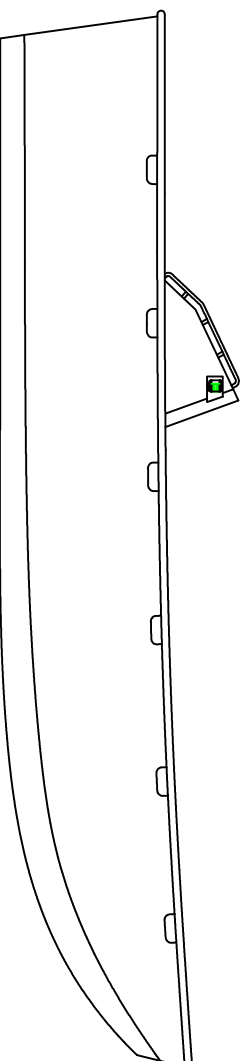


FRONT VIEW



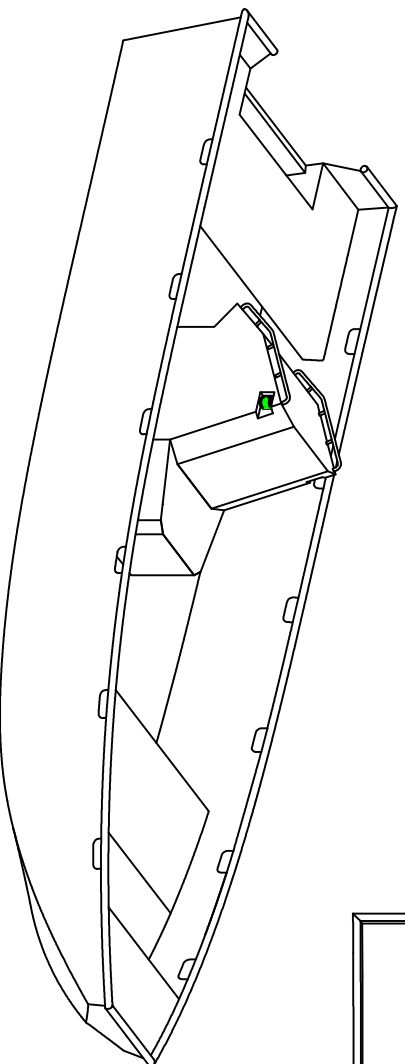
SIDE VIEW



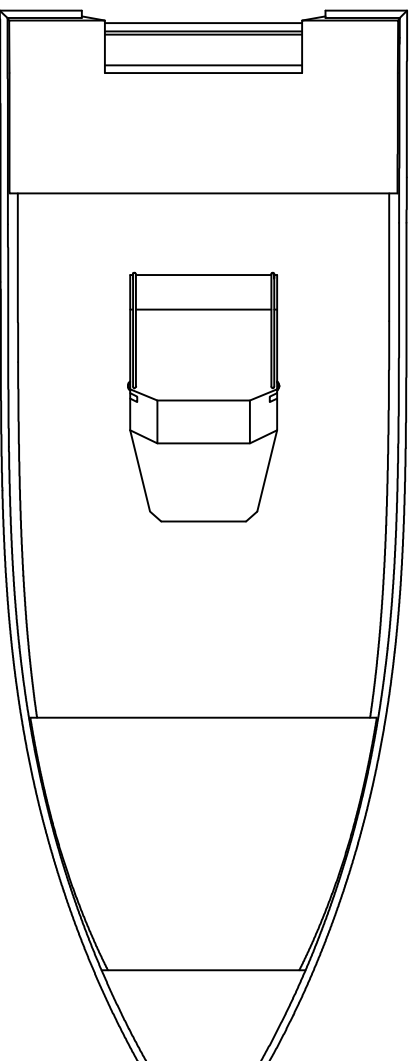
Main particulars

Length over all	5.00 [m]
Breadth over all	1.86 [m]
Depth at 1/2 L	0.78 [m]
Weight approx.	380 [kg]
Building material	Aluminium
Max. Power	4 [mm] 60 [HP]

3D VIEW



TOP VIEW



COPYRIGHT BEN3D B.V.		<b>BEN3D</b>		PROJECTION	
BEN3D B.V. DOUWESCHOOIJN 6 3344 AK HL AMBOCHT WWW.BEN3D.NL - INFO@BEN3D.NL		DRAWN	BEN3D	FORMAT	
		CHECKED	B.A. de Wiers	SCALE	
		APPROVED		DATE	2013
FastRider 500					
TYPE		FastRider 500			
YARD NO	Contractor	DWG NO	Drawing for building		
YARD NO	building yard		SHEET	REVISION	
				-	